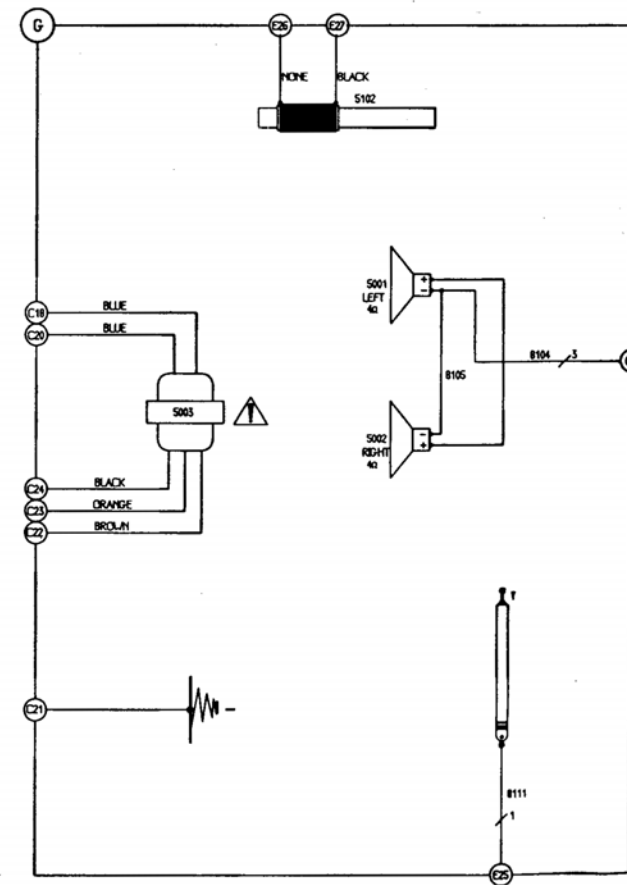
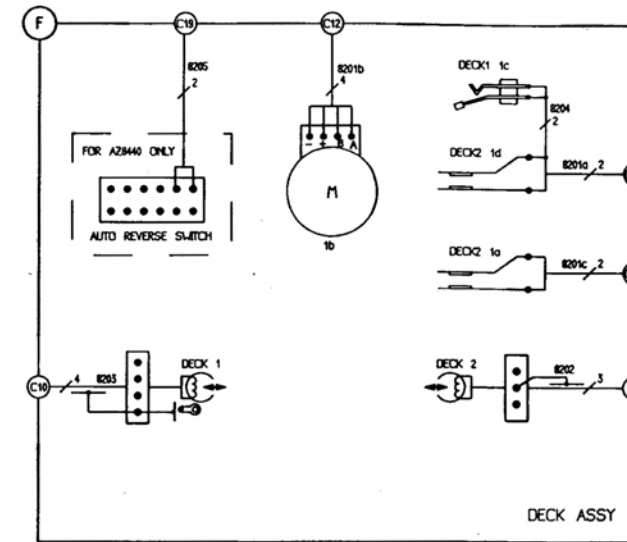
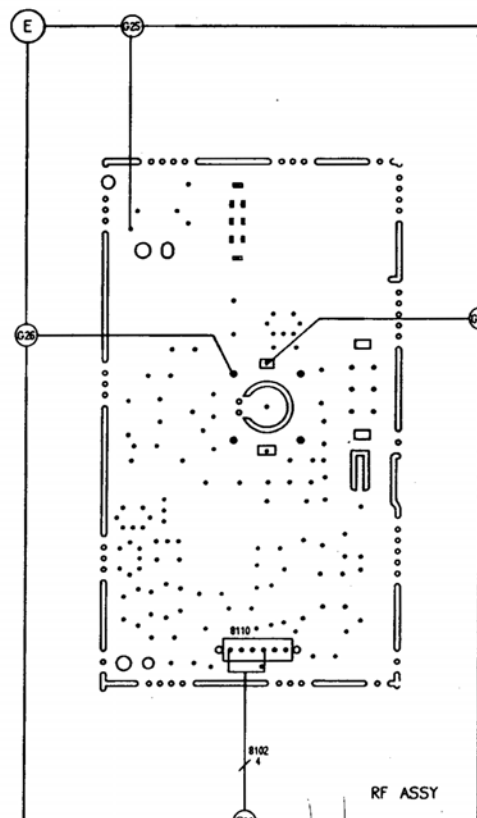
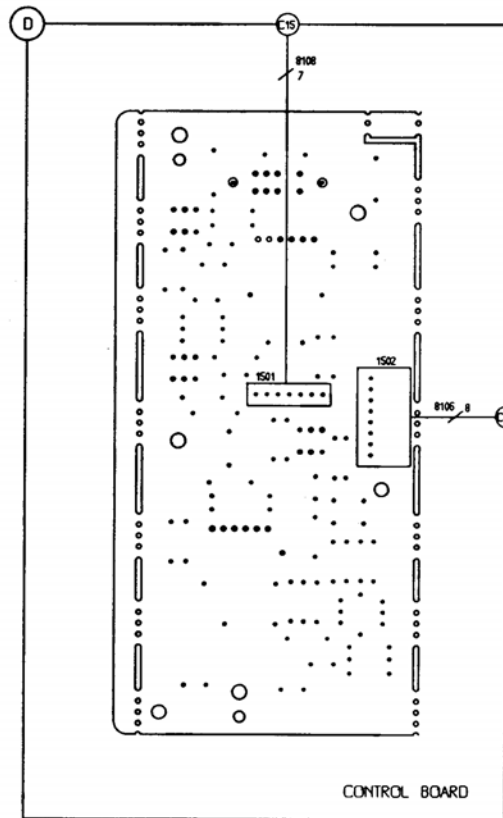
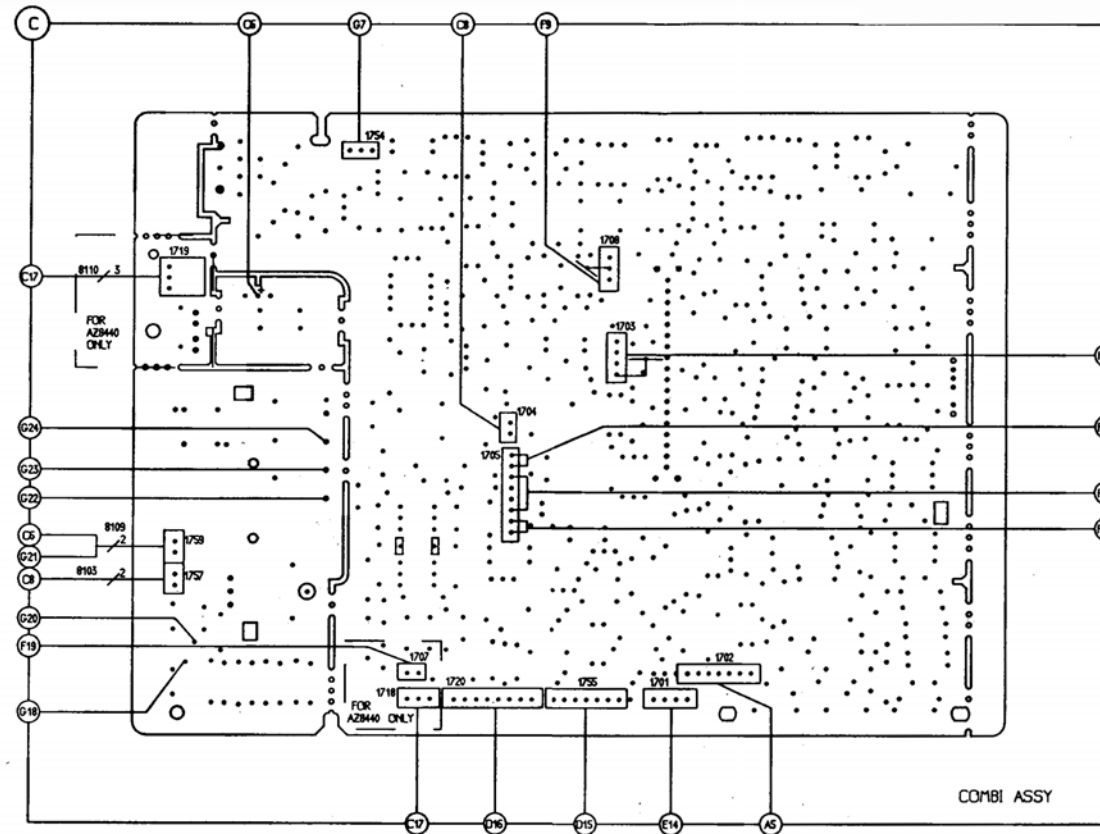
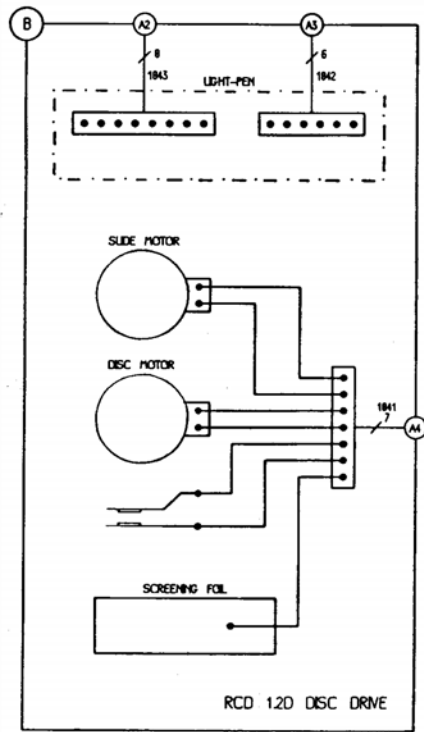
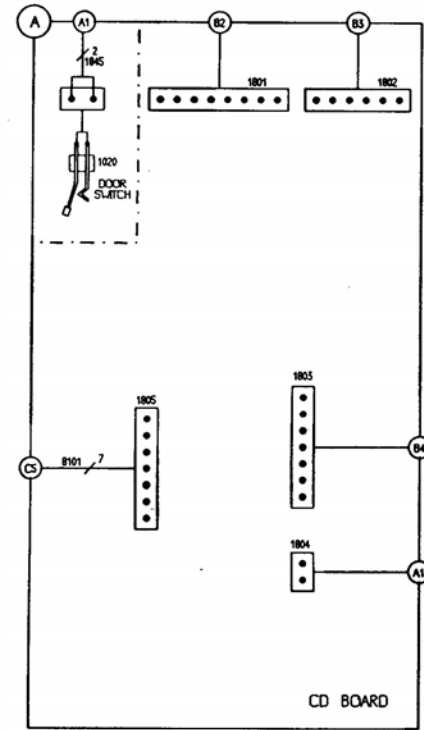


Extraído de la biblioteca de APAE

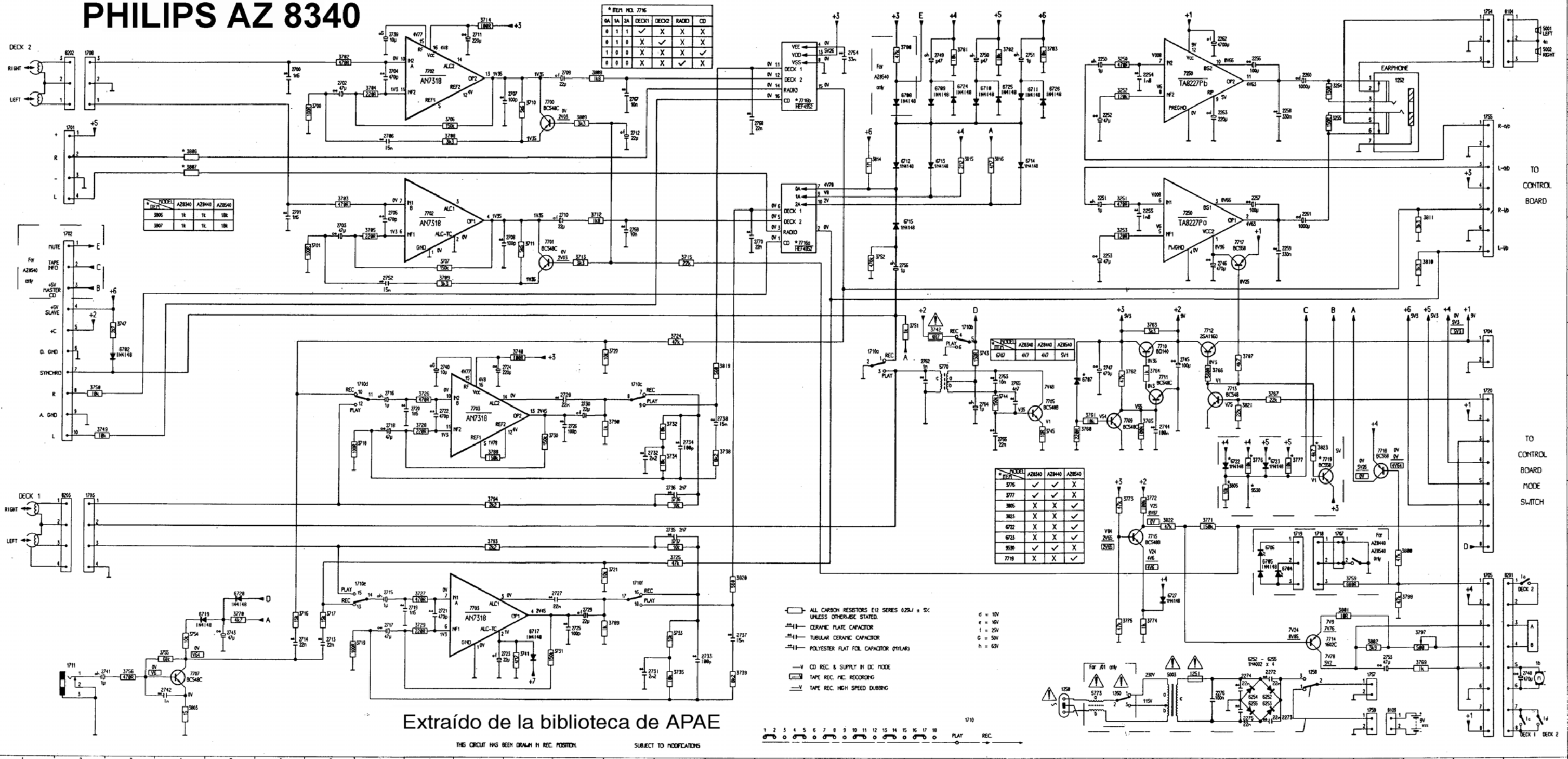
PHILIPS AZ 8340

E.V.M. V
 DC VOLTAGES MEASURED IN POSITION CD-PLAY
 +C (6 - 14V)
 V=+1 (2.5V)
 +S (5V)

WIRING DIAGRAM



PHILIPS AZ 8340



* REF1 NOL 7716

SA	1A	2A	DECK1	DECK2	RADIO	CD
0	1	1	✓	✓	X	X
0	1	0	X	✓	X	X
1	0	0	X	X	✓	✓
0	0	0	X	X	✓	X

REF1	AZ8340	AZ8440	AZ8540
386	1A	1A	18R
387	1A	1A	18R

REF1	AZ8340	AZ8440	AZ8540
575	✓	✓	X
577	✓	✓	X
385	X	X	✓
383	X	X	✓
622	X	X	✓
623	X	X	✓
630	✓	✓	X
7719	X	X	✓

- ALL CARBON RESISTORS E12 SERIES 0.25W & 5C UNLESS OTHERWISE STATED.
- ⊖ CERAMIC PLATE CAPACITOR
- ⊖ TUBULAR CERAMIC CAPACITOR
- ⊖ POLYESTER FILM FOL CAPACITOR (PHILAR)
- ⊖ CD REC. & SUPPLY IN DC MODE
- ⊖ TAPE REC. REC. RECORDING
- ⊖ TAPE REC. HIGH SPEED DUBBING

Extraído de la biblioteca de APAE

THIS CIRCUIT HAS BEEN DRAWN IN REC. POSITION. SUBJECT TO MODIFICATIONS

